

Your partner for CHAIN TECHNOLOGY



KÖBO

The Chain People

WE HANDLE IT.

FOR MORE THAN 120 YEARS

HAND IN HAND FOR SUCCESS.

KÖBO manufactures products which will only work if all parts mesh with each other. That is why we know how important a good relationship is with customers. We consider close ties with customers as a major criteria for joint success. Every project is important to us. We always want to meet and exceed requirements and expectations. In doing so, we attach great importance to long-term relationships and not to just one time success.

THE RESULT: We have been partnering the majority of our major customers for many years, working together towards technical developments with passion.



KÖBO industrial park Wuppertal

COMBINING TRADITION AND FUTURE. FOCUSSING ON THE CUSTOMER.

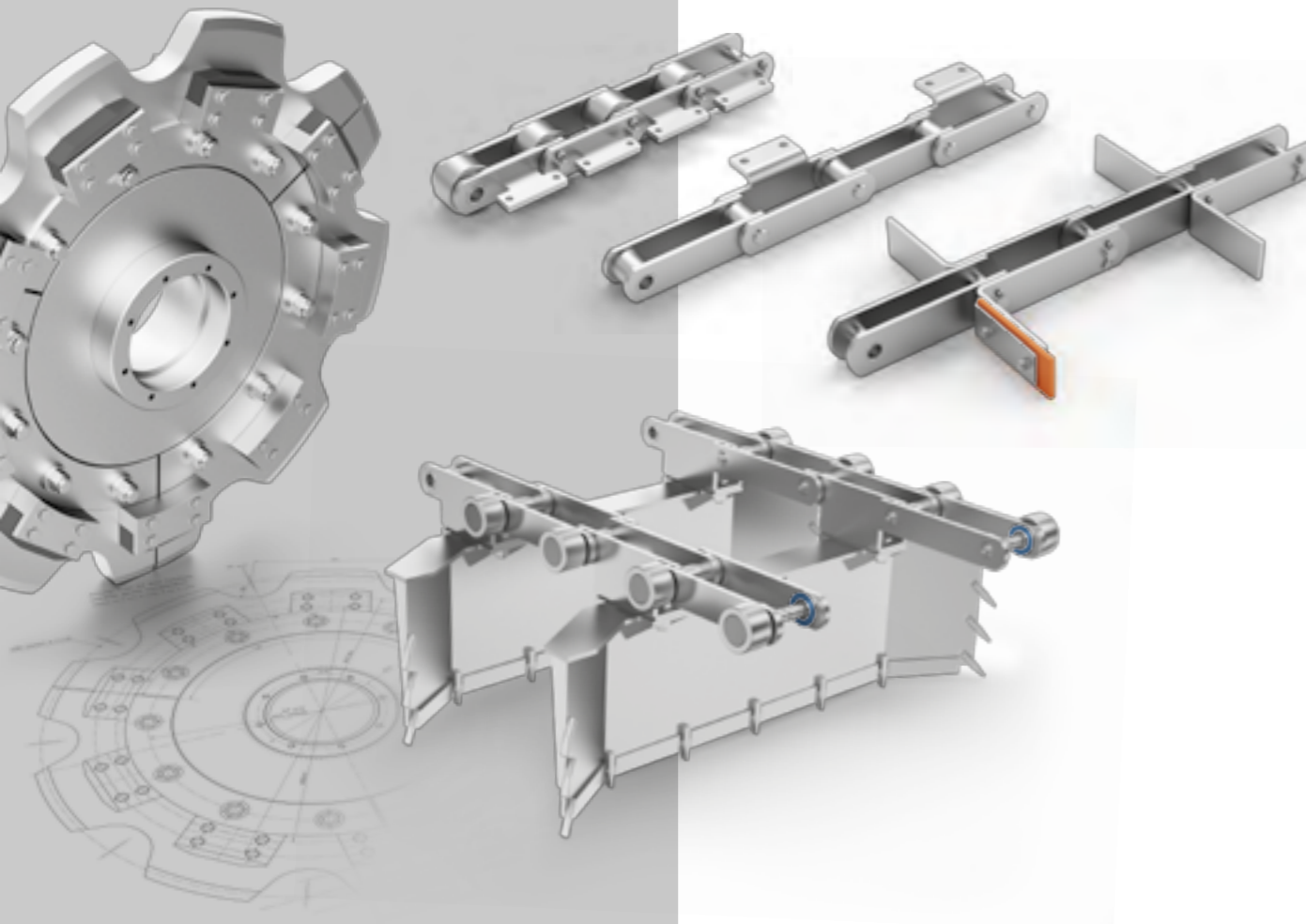
KÖBO has been producing chains and sprockets since 1894. Only five years later, Emil Köhler and Hermann Bovenkamp set a milestone by developing the standardization for roller chains, which is still valid. A stable success could then be established by the expansion into diverse industries. The result: To this day, there is barely one company with such a deep industry-specific expertise.

INTERNATIONAL KNOW-HOW FOR ALL INDUSTRIES.

KÖBO produces in Germany, Poland, and China. Logistics and distribution are internationally oriented as well. We are a high-performance partner with experience, competence, and a focus on the future by strategic thinking and pragmatic conduct.

KÖBO develops and produces cross-industry chains for diverse sectors:

- 1 steel industry
- 2 bulk handling industry
- 3 automotive industry
- 4 wood industry
- 5 water treatment industry
- 6 food industry
- 7 escalator industry
- 8 supply and fit
- 9 as well as sprockets for all specialized segments and systems



GOOD TECHNOLOGIES ARE CREATED BY PEOPLE



WITH SECURITY AND TRUST.

In our sector of engineering, values are high not only on individuals but also on co-operation with clients. Values such as authenticity, honesty, and commitment are important to us. In this way, our engineers stand out due to their decades of experience and profound knowledge, both have an impact on the creation of product value. KÖBO chains represent great endurance, high bearing pressures and low co-efficients of friction are achievable - and they realise maximum productivity in use.

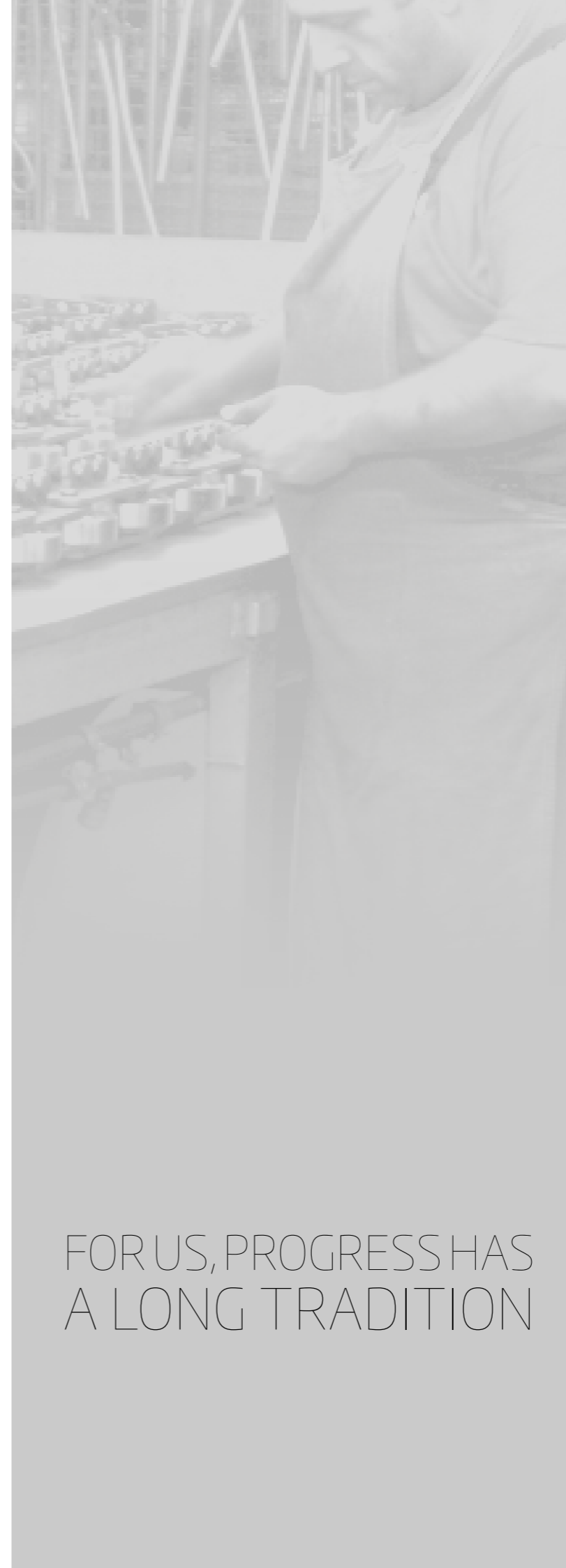
MORE COMPETENCE FOR MORE QUALITY.

Through cooperation with technical universities, our engineers constantly develop new solutions for conveyor and drive chains. For this purpose, we regularly carry out studies for optimizing wear resistance - a commitment that directly results in competitive advantages for our customers.

MOVING BUSINESS.

CREATING SUSTAINABILITY.

We are aware of our responsibility towards people and environment: Therefore, our distinct customer focus certainly goes along with resource-friendly technologies and a forward-looking environmental management.



PARTNERSHIP AND PRODUCTION.

As **The Chain People** we know what will be important: We ensure KÖBO's consistently high quality by our certified management and production processes according to DIN EN ISO 9001. KÖBO takes an active part in the German Standards Committee as well as in the international manufacturing of standards - and is thus always up to date.

MEETING REQUIREMENTS. EXCEEDING EXPECTATIONS.

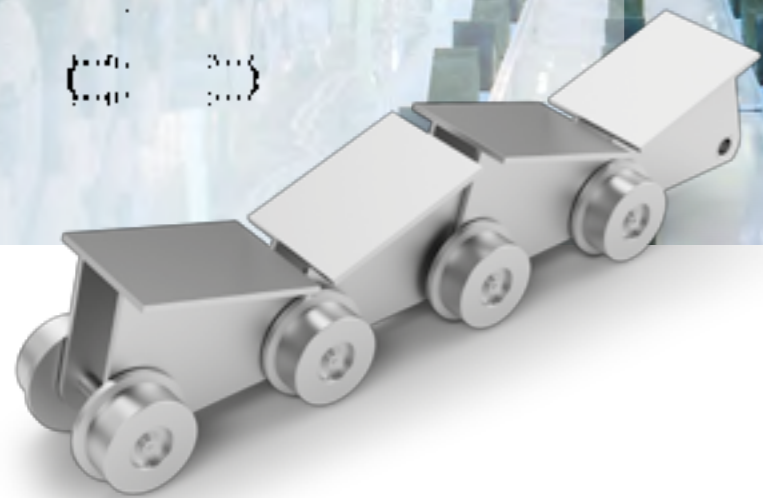
Our production offers an in-depth capacity that has no equal. In addition to chains and sprockets, we construct ancillary parts, rollers or buckets, pan conveyor chains, and components for specific applications precisely according to the technical specifications of our customers. Our production applies state-of-the-art technologies:

- mechanical processing with up-to-date CNC technology
- state-of-the-art stamping technology for realizing lowest tolerance
- thermal processing for special hardening and coating
- hydraulic high-tech assembly
- reliable final inspection
- laser cutting > 25mm

Our aspiration of meeting requirements and exceeding expectations makes KÖBO and its high service level one of a kind. How may we support you?

FOR US, PROGRESS HAS A LONG TRADITION

1 STEEL INDUSTRY



TOUGH BUSINESS MOVED EASILY.

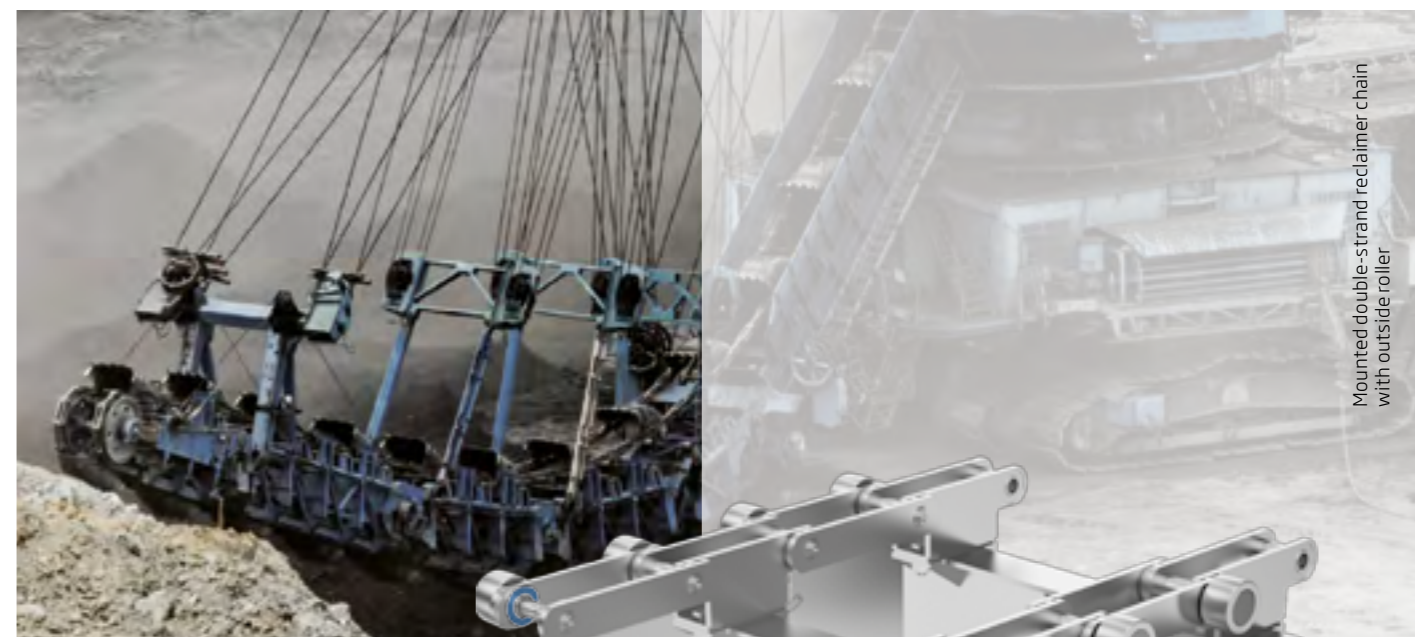
Specialising in technology-driven sectors we have always produced special conveyor chains and sprockets for iron, steel, and aluminium industries. Especially in these industries, high transport weights and extreme environments are exceptionally demanding in terms of material and technology. One example: Some of the coil conveyor chains we have produced are moving coils of several tons at temperatures of up to 1000 degrees. The durability of conveyor chains in hot material transport, the reduction of abrasive wear on reclaimer chains or the enormous precision required for roller chains conveyor belt storage applications are only a small part of the solutions developed by KÖBO. Therefore, our

production programme does not only comprise standard products, but also individual systems such as: cooling bed chains, block turning chains, draw bench chains, accumulator chains or chains for wire transport.

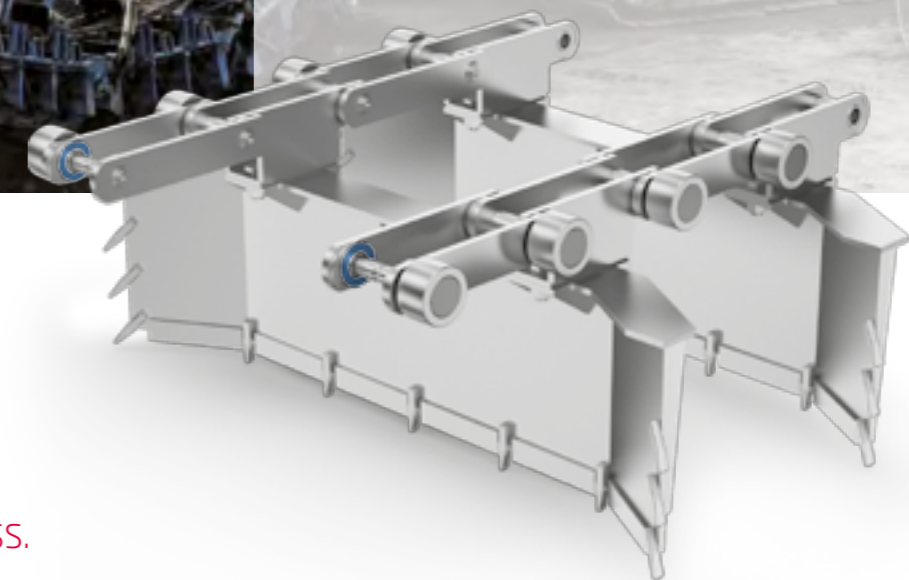
KÖBO solutions for steel industry chains:

- coil transport
- sinter plants
- cooling beds
- accumulator towers
- and more

BULK HANDLING INDUSTRY 2



Mounted double-strand reclaimer chain with outside roller



CONVEYING COMMON SUCCESS.

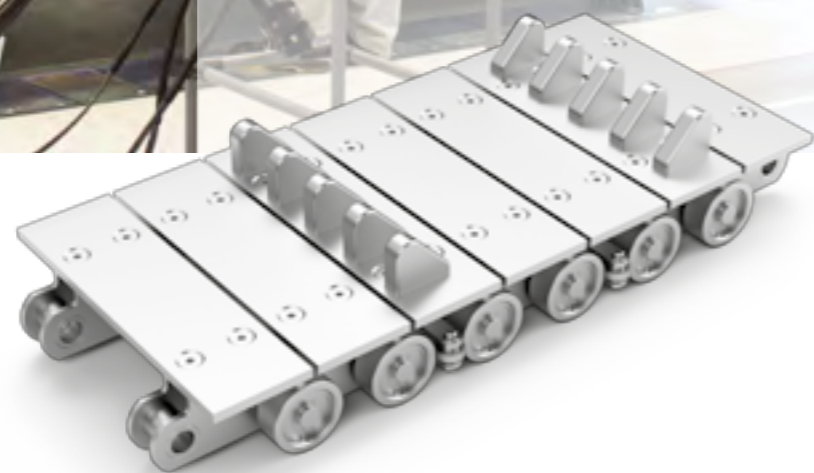
Whether coarse or fine grain, corrosive or abrasive features - we have been collaborating with renowned plant manufacturers in the bulk handling industry for decades. Our expertise in conveyor processes and our hands-on attitude have made us a globally trusted and reliable partner - today and tomorrow.

Our chains are available in clad or standard execution with larger link tolerances, depending on the field of application. In addition to reclaimer chains, bucket elevator chains and buckets, pan conveyor chains and sprockets, our range of products and services comprises a wide choice of technical equipment as well.

Due to our high service level, KÖBO provides the following chain types within very short delivery times:

- bucket elevator chains
- central bucket elevator chains
- plate chains
- reclaimer chains
- apron conveyor chains
- rollers and guide rollers
- and more

3 AUTOMOTIVE INDUSTRY



FUEL TO PRODUCTION.

Good technologies and good relationships have a lot in common. That is why we are a competent partner to many well-known automobile manufacturers and their suppliers. With our awareness of this special business, we consistently succeed in understanding requirements, recognizing ideas, and finding better solutions for all involved parties.

Our comprehensive advice and individual engineering skills excel in practice: KÖBO experts develop and produce high-performance conveyor and pan conveyor chains that are precisely suited to the requirements of

the automotive industry. KÖBO solutions stay permanently shock-resistant and are extremely durable even under varying environmental influences.

Our low-maintenance chains are lubrication-free and are available for diverse applications, e.g.:

transfer chains

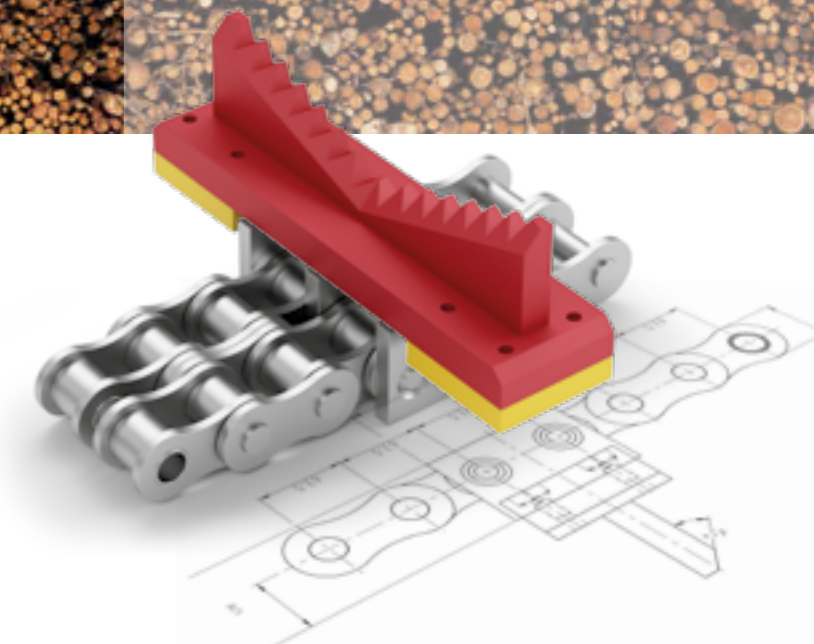
dryer chains

chains for paint applications

chains for car wash

and more

WOOD INDUSTRY 4



TOO MUCH WOOD? IT'S JUST A MATTER OF TECHNOLOGY.

KÖBO develops and produces chains for diverse applications in wood-processing industries. International factory operators and plant manufacturers are our customers and we help them realize high-class innovative and efficient solutions. We know that special knowledge is required when it comes to planning and implementing conveyor processes according to various shapes and sizes of different types of wood. The experts at KÖBO impress by their profound knowledge and their practical expertise in finding solutions to industry-specific.

The range of application of KÖBO chains includes:

transport of boards

transport of round wood

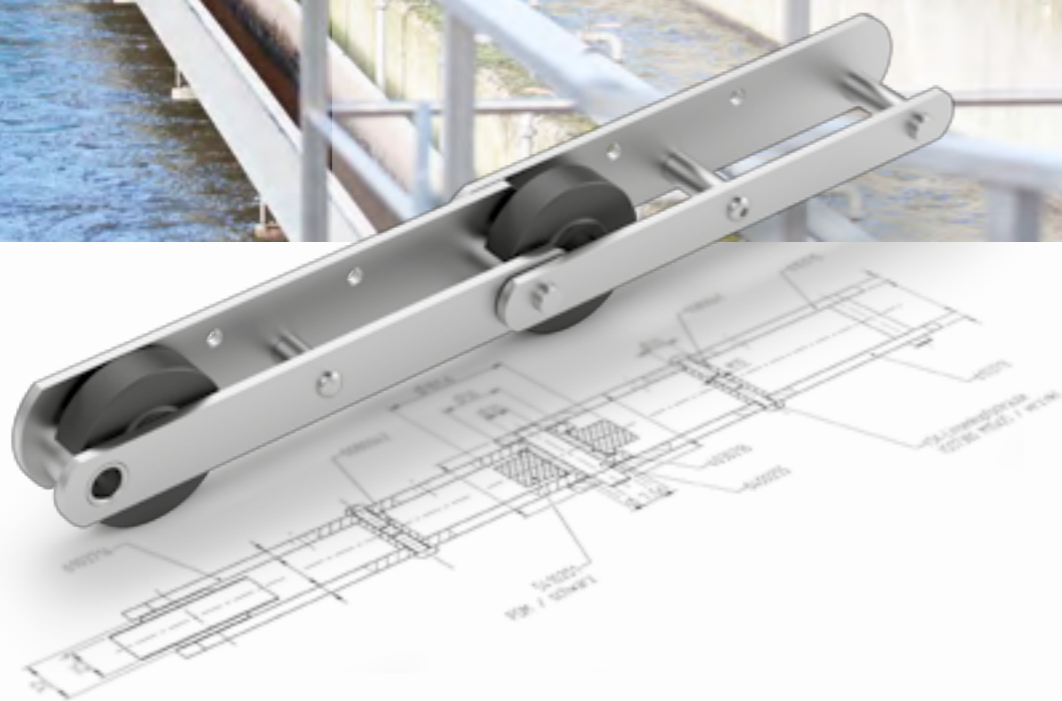
sorting strands

sawing lines

wood chip handling

and more

5 WATER TREATMENT INDUSTRY

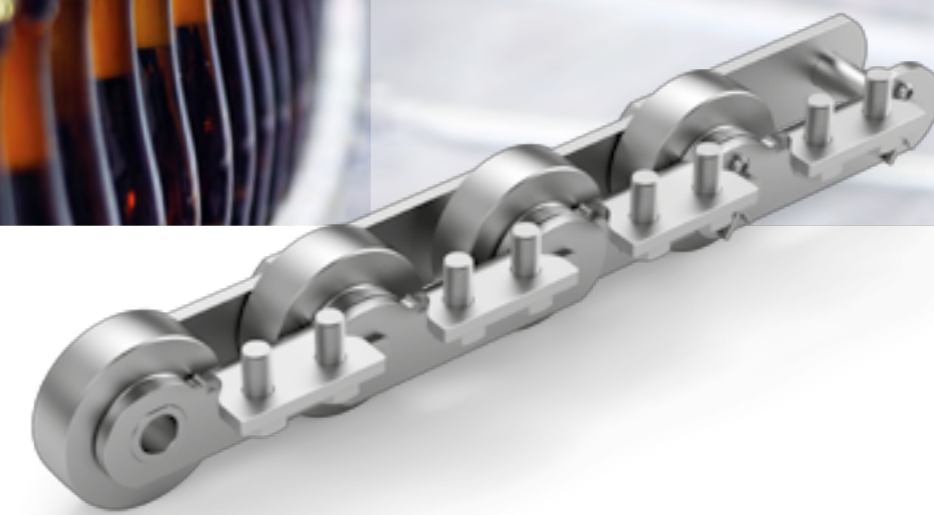


MOVING ELEMENTS SAFELY.

Water treatment plants are “often” highly complex high-tech facilities requiring a permanently reliable service of every single component. KÖBO produces specialized chains made of stainless and special alloy steels in order to comply with the features of different water treatment plants.

It is obvious that a chain permanently exposed to water and moisture must meet specific requirements. The name KÖBO stands for a wide range of solutions used in water extraction and waste water treatment systems. Combined with state-of-the-art technologies, KÖBO chains provide increased flexibility - and offer reliability in all process steps.

FOOD INDUSTRY 6



Chain for purification in the bottling industry with curved bracket

CLEAN SOLUTIONS WHEN IT MATTERS.

Right from the beginning, KÖBO chain technology has been successfully used in the bakery industry, in meat-, vegetable-, and grain-processing industries and also in the bottling industry. Back then and still today, our customers have always been convinced by our innovative concepts, which were developed and produced as trend-setting industry solutions. Since the processing of food and pet food or the washing of bottles require a much broader product understanding than ever, our customers take advantage of our know-how.

KÖBO offers perfect solutions - e.g. with special low-maintenance acid- and rust-proof chains for almost all areas of the food industry:

beverage industry, bottle washing plants

canning industry

meat processing

grain industry

bakery industry

and more



DEVELOPING IDEAS THAT MOVE PEOPLE.

We aspire to excellent relationships with “our” customers. That is one of the reasons why passenger transport is a particularly important part of our portfolio. Our chain systems meet the highest safety requirements and contribute to smooth running and good comfort. Heavy loads, high transport rises and unusual lengths of walkways and lifts are special challenges to us.

As the world’s leading supplier of escalator chains, KÖBO has been working together with operators and

manufacturers for the Underground in London, the Metros in Paris and Vienna as well as of numerous national and international airports for many years. Our comprehensive performance in engineering and service as well as our cooperative approach allows for both handling of individual project modules and direct collaboration with the project management.



ADDED VALUE THROUGH SERVICE.

As a leading company in the chain industry, we offer custom-made services in all aspects of chain maintenance. Our technicians’ comprehensive experience and a highly motivated team represent professional high-class maintenance programmes.

In addition to the installation of chains to existing systems, KÖBO’s experts take on all services - from lubrication to full replacement. By pooling highly specialized fields of competence and combining diverse individual services, we are able to realise perfect results.

KÖBO’s supply & fit services include:

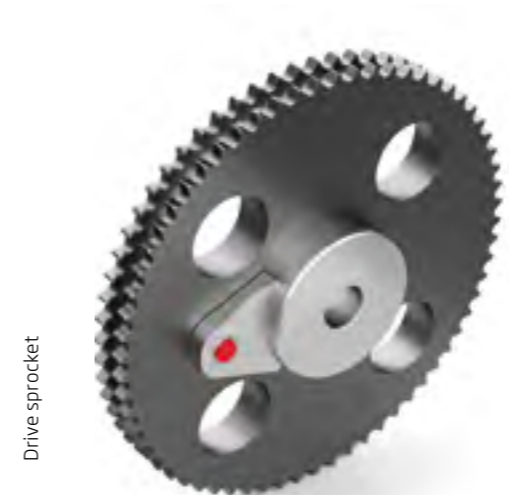
- preventive and permanent maintenance
- repair and maintenance of plants
- relocation of plants with on-site machine modifications
- scheduled shut-down activities and revision
- alterations, adjustments, and modifications
- machine set-up and final assembly
- dismantling, transport, and reassembly
- set-up assistance
- repair welding even on pressure vessels and pipelines according to the Pressure Equipment Directive
- emergency repairs
- production and procurement of spare parts
- plant engineering and structural steelwork



SPROCKETS

SETTING YOUR BUSINESS IN MOTION

BUSINESS KEEPS ON MOVING



Drive sprocket



Split sprocket

KÖBO's sprockets feature:

- sprockets with hub on one side or both sides
- sprockets with welded on hub
- sprockets with keyway
- sprockets with thread holes for adjusting screws
- sprockets with grooves for dirt-releasing notches
- sprockets with increased tooth gap clearance
- sprockets with segmental rims
- sprockets with induction hardened teeth

HARD FACTS FOR A BETTER PERFORMANCE.

Chains and sprockets belong together. A chain can only be as good as the sprocket. The quality of the sprockets is critical to the complete drive system.

Therefore, KÖBO offers different types and shapes of sprockets for almost all applications. Flexibility in operations and special materials, e.g. stainless steel, for special requirements and high-end manufacturing processes like induction hardening of teeth, are decisive for custom-made solutions.

SIMPLY MAKING MORE POSSIBLE.

KÖBO manufactures single, duplex or triplex sprockets up to a diameter of 5.5ft.

Standard sprockets, custom-designed sprockets for engineered chains as well as sprockets for roller chains are part of our portfolio.



Our customers can rely on us:
KÖBO is certified acc to DIN EN ISO 9001:2008

Sprocket with detachable tooth segment in noise reduction execution

KÖBO - EUROPE HEADQUARTERS

KÖBO GmbH & Co. KG
Hatzfelder Str. 115
D-42281 Wuppertal
Tel.: +49 202 7093-0
Fax: +49 202 7093-142
E-Mail: info@koebo.com

www.koebo.com

ASIA

The Chain House / KÖBO Asia
162/2 Phattanakarn Rd. 78
Prawet Parwet 10250 Bangkok
Thailand
Tel.: +66 2321 6913 5
Fax: +66 2321 6916



USA

KOBO USA LLC (Chicago office)
115 W Lake Drive
Glendale Heights, IL 60139
Tel.: +1 630 682 3066
E-Mail: info@kobousa.com
www.kobousa.com

BRANCH OFFICE POLAND

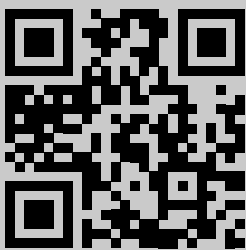
Köhler & Bovenkamp Polska
Polska Sp. z o.o.
88-400 Znin ul. Przemysłowa 2
woj. kujawsko-pomorskie
Tel.: +48 52 30 31 36 1
Fax: +48 52 30 31 36 4
E-Mail: marketing@koebo.pl
www.koebo.pl

BRANCH OFFICE UK

KÖBO (UK) Ltd. Ketten House
Leestone Road,
Sharston Industrial Area,
GB-Manchester, M22 4RB
Tel.: +44 (0)161 491 9840
Fax: +44 (0)161 428 1999
E-Mail: info@kobo.co.uk
www.kobo.co.uk

BRANCH OFFICE FRANCE

KÖBO France S.A.R.L.
6 rue du Chant des Oiseaux
F-78360 Montesson
Tel.: +33 1 30 15 24 50
Fax: +33 1 34 80 16 50
E-Mail: kobo.france@wanadoo.fr
www.koebo.com/fr



MEETING REQUIREMENTS.

→ EXCEEDING EXPECTATIONS.