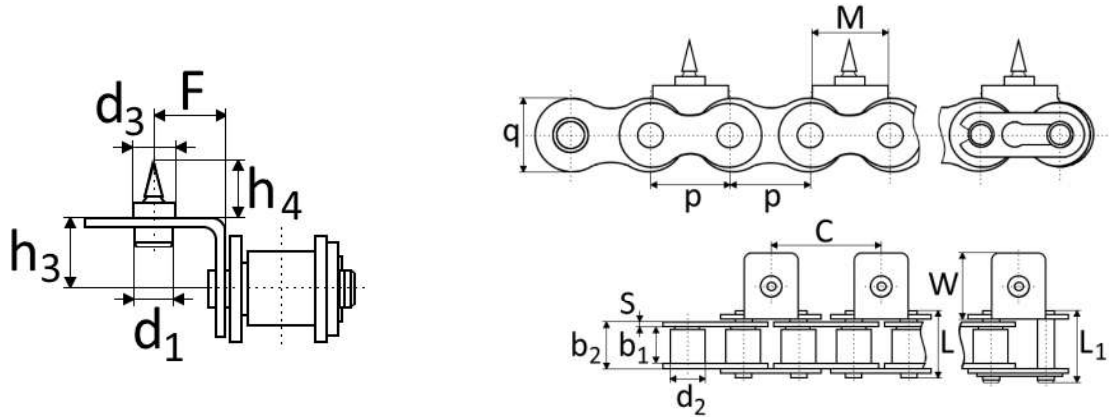


AGRICULTURAL CHAINS

LANDMASCHINENKETTEN

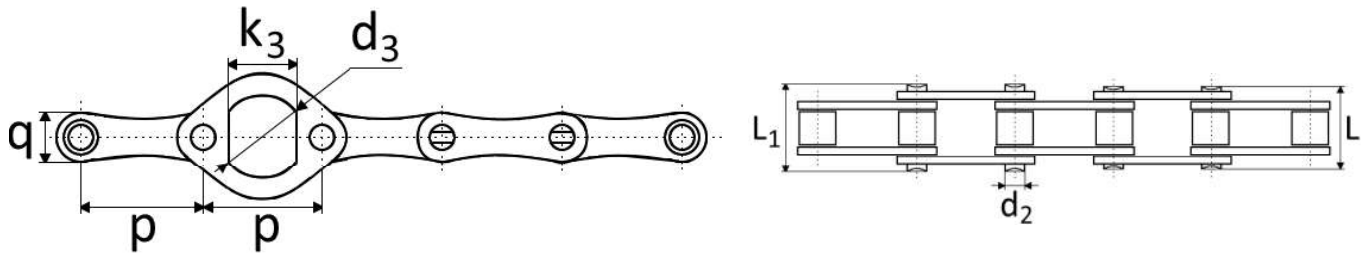
Chain No. Ketten-Nr.	p	q	d ₁	d ₂	d ₃	b ₁	b ₂	S _{max}	C	L	L ₁	W	M	h ₃	h ₄	F	F _B
	mm	mm	mm	mm	mm	mm	mm	mm	mm	mm	mm	mm	mm	mm	mm	mm	N min.
10B-1 1AKa1.102/43 2T.00.00	15,875	14,73	5,5	10,16	6	9,65	13,28	1,5	31,75	18,8	20,1	19,55	15,15	10	7,8	9,9	23 000

F_B Breaking load
Bruchkraft



Chain No. Ketten-Nr.	ISO	p	k ₃	d ₂	d ₃	L	L ₁	q	F _B
		mm	mm	mm	mm	mm	mm	mm	N min.
216B.00.00	216 B	50,800	28,3	8,28	35,3	35	40,00	21,08	60 000

F_B Breaking load
Bruchkraft



LONG LINK CONVEYOR CHAINS

LANGGLIEDRIGE FÖRDERKETTEN

GOST 4267-78

Chain No. Ketten-Nr.	GOST No. GOST Nr.	p	b _{1min}	b _{2max}	B _{max}	a	d	d _{2min}	d _{1max}	l _{1max}	q _{max}	T	F _B
		mm	mm	mm	mm	mm	mm	mm	mm	mm	mm		N min.
1115	ТРД-31,75-2300-1-2-6	31,75	9,65	13,95	72	52	6,6	5,08	10,16	20	13,6	2T; 4T; 6T; 8T; 10T; ...	23 000
1092	ТРД-31,75-2300-2-2-6	31,75	9,65	13,95	72	52	6,6	5,08	10,16	20	13,6	2T; 4T; 6T; 8T; 10T; ...	23 000

F_B Breaking load
Bruchkraft

